



SCS DIP COATING SYSTEMS

SCS DIP COATING SYSTEMS

Dip Coating systems from Specialty Coating Systems provide for the liquid coating of printed circuit boards in a production setting. The systems can apply urethane, epoxy, silicone and acrylic coatings as well as photoresists and solder mask materials. SCS Dip Coaters feature a stationary tank and an air-over-oil cylinder mechanism to move circuit assemblies into and out of the coating material, eliminating the need for electricity. The systems meet NFPA-79 conformance for Class I, Group D explosion-proof standards for a Division I environment, and their stainless steel tank cover minimizes vapor loss.

SCS offers two Dip Coater models to meet customer production needs. In addition to the P3201 floor model, the PL3201 is a compact table-top system for coating of substrates. Each model makes efficient use of coatings and ensures complete coverage on both sides of coated assemblies. Accurate immersion control eliminates the need to mask areas that remain above the dip line.



P3201

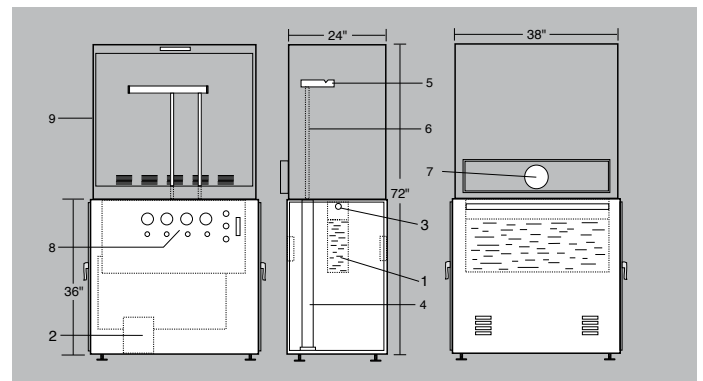
SYSTEM FEATURES

- Powered by compressed air-over-oil cylinder for smooth, explosion-proof operation
- Adjustable immerse and lift speeds, 1 to 24 inches per minute
- Dip assembly supports multiple boards per dip cycle
- Removable tank for fast, easy coating changes
- Independently adjustable immersion and withdrawal rates

OPTIONAL FEATURES

- Circulation pump and overflow dam
- Dip dwell (0-30 seconds or 0-3 minutes)
- Tank air blanket and flow meter
- PTFE coated tanks
- Coating filter
- Exhaust hood enclosure (standard on PL3201)
- Stainless steel piping for circulation pump in lieu of brass piping

SCS P3201 DIMENSIONS



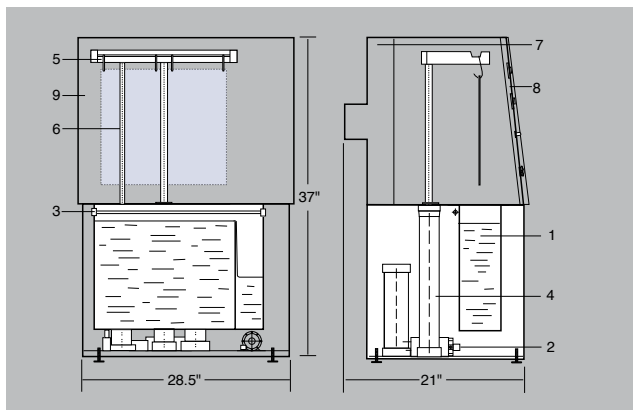
- | | |
|------------------------------------|-----------------------------|
| 1. Dip tank | 6. Lift travel control bar |
| 2. Circulation pump (optional) | 7. Exhaust plenum |
| 3. Gas blanket manifold (optional) | 8. Control panel |
| 4. Hydraulic actuation cylinder | 9. Hood (optional on P3201) |
| 5. Cross rod support rack | |



SCS PL3201 DIMENSIONS



PL3201



- | | |
|------------------------------------|----------------------------|
| 1. Dip tank | 6. Lift travel control bar |
| 2. Circulation pump (optional) | 7. Exhaust plenum |
| 3. Gas blanket manifold (optional) | 8. Control panel |
| 4. Hydraulic actuation cylinder | 9. Hood |
| 5. Cross rod support rack | |

SYSTEM SPECIFICATIONS

	P3201 Floor Model	PL3201 Benchtop Model
Unit size (W x D x H)	38 x 25.75 x 39 in. / 96.5 x 65.41 x 99 cm	28.5 x 21 x 37 in. / 72.4 x 53.3 x 94 cm
Tank size (L x W x D)	27 x 7 x 19 in. / 68.6 x 17.78 x 48.3 cm Additional tank sizes available upon request.	18 x 4 x 14 in. / 45.72 x 10.16 x 35.56 cm Additional tank sizes available upon request.
Tank Drain	½ NPT	½ NPT
Immersion capacity	Up to 13 in. (33.0 cm), with 6 in. (15.2 cm) freeboard	Up to 8 in. (20.3 cm), with 6 in. (15.2 cm) freeboard
Immersion rate	1 to 24 in./min. / 2.54 to 61 cm/min.	1 to 24 in./min. / 2.54 to 61 cm/min.
Withdrawal rate	1 to 24 in./min. / 2.54 to 61 cm/min.	1 to 24 in./min. / 2.54 to 61 cm/min.
Dip depth	Adjustable by sensor position	Adjustable by sensor position
Actuation	Compressed air at 15 cfm / 80 psi (25.5 m³/hr/5.5 bars), oil and moisture free	Compressed air at 15 cfm / 80 psi (25.5 m³/hr/5.5 bars), oil and moisture free
Exhaust	200 CFM (340 m³/hr) with optional hood enclosure	200 CFM (340 m³/hr)

INNOVATIVE SOLUTIONS FOR ADVANCED TECHNOLOGIES.

With over 45 years of experience and locations around the world, Specialty Coating Systems is the global leader in Parylene conformal coatings and technologies. This extensive coating and application experience is leveraged on each and every customer project, including the industry-leading systems that SCS designs and manufactures. From conformal coating, dispensing and cure systems to ionic contamination test systems, SCS equipment is used in environments that range from university and research labs to high-volume production facilities. SCS' proactive approach to production and quality requirements—testing, validating, documenting and processing—enables customers and their advanced technologies to meet the most challenging industry specifications and quality requirements.



7645 Woodland Drive, Indianapolis, IN 46278 United States
TF 800.356.8260 | **P** 317.244.1200 | **W** scseqip.com